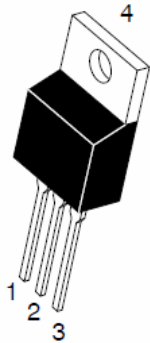


# TSR40S 50CT

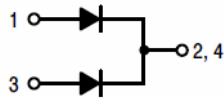
# TSR40S150CTF

7 UHQFK 026 %DUULHU 6FKRWWN\ 5H

TO-220AB  
TSR40S150CT



ITO-220AB  
TSR40S150CTF



### Features

- ‡ \$GYDQWUHQFK WHFKQRORJ\
- ‡ /RZRZURGRWDJH GURS
- ‡ /RZRZURVVHV
- ‡ +LJKILFLHQF\ RSHUDWLRO
- ‡ /HDGH)HLQLVK &R#6OLDQW

### Applications

- ‡ '&' & RQYHUWHUV
- ‡ \$&'&GDSWRUV
- ‡ 6ZLWFKRZHXSSOLHV
- ‡ )UHHZKH)HLGRJ\

Maximum ratings and electrical characteristics (T<sub>J</sub> = 25°C unless otherwise noted)

3DUDPHWHU		6\PERO	/LPLW	8QLW
0D[LXPXPHSHVSHUNYHYURQHW DJH		9550		9
0D[LXPYHURJHZDUG UFXEWHIHWG		, ) \$9		
GHYLFH SHGLRGH				
3HDN IRVZDUEBUHQW VLKDOHQH ZDYH VXSHULPSRVHGRFSGUDRVGHG		, )60		
2SHUDMXQDQGRQWRUDJH WHPSHUDW		XUH 0DQJH	WR	f &
7\SLFVCHUPDO USHVULVQHDQFH		72 \$%	f & :	
		,72 \$%		
,QVWDQWDQHRROWRUJZDUG SHGLRGH		9)	7 < 3	0\$;
			43	48
			38	
			0.73	0.79
			0.68	
,QVWDQWDQHRXUUSHOMRQVH UDWHYHYURQHW DJH		,5		
			X\$	
			P\$	

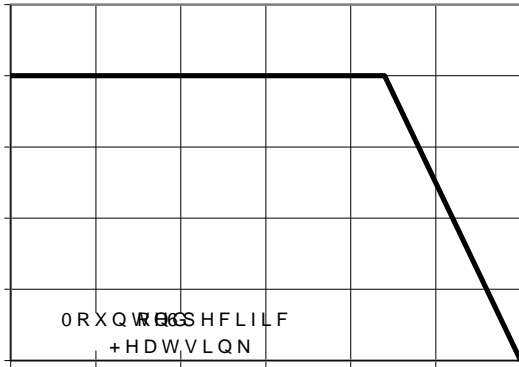
1RWHV

3XOVH WHVVSXOVH ZLGWK GXW\F\FOH

3XOVH WHVW 3XOPVH ZLGWK 0

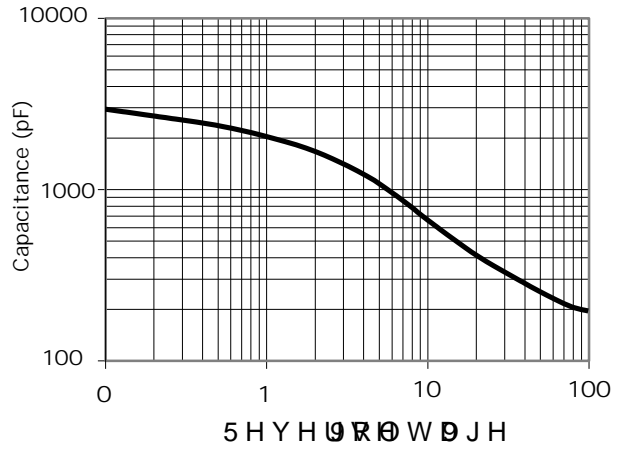
, I \$YHUDJH )RUZDUG &XUJHQW

## RATINGS AND CHARACTERISTICS CURVES (TA = 25 °C unless otherwise noted)

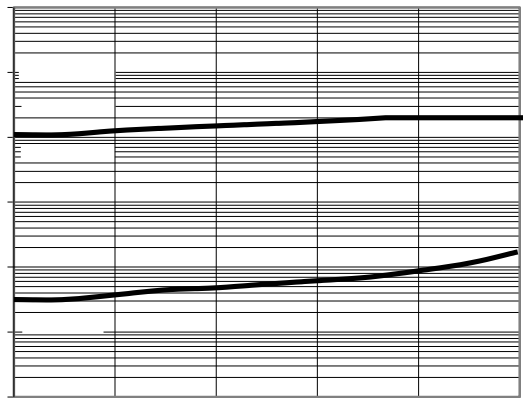


7 F&DV7HP S&

Current Derating, Case



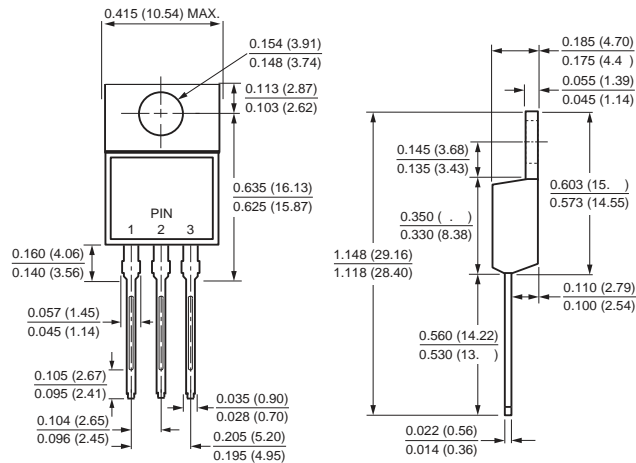
Typical Junction Capacitance



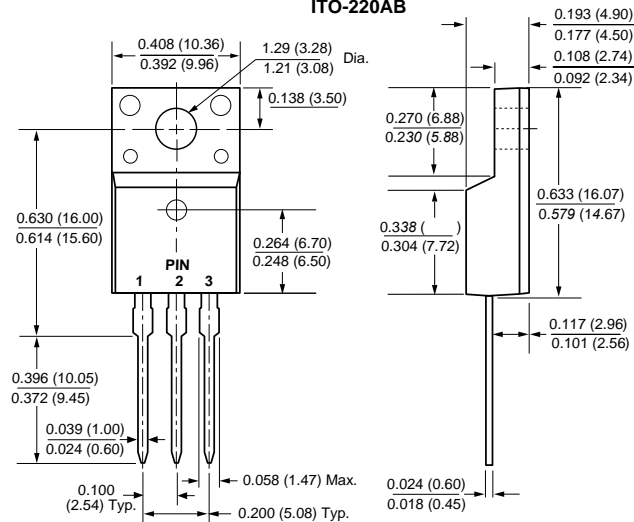
## PACKAGE OUTLINE DIMENSIONS

Note:unit In(mm)

TO-220AB

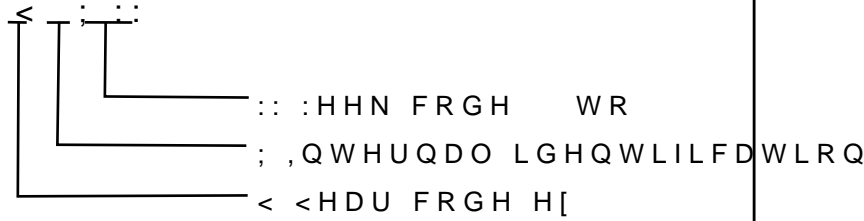


ITO-220AB



**Marking Information**

: &RPSDQ\ V WUDGHPDUN  
83URGXFW P65GHO &7 RU 765 6 &7)  
93'& LQIRUFDWLRQ



**Packaging Information**

7XEH 'LPHQVLRQV

,QVLGH %R[

2XWVLGH %R[

**Packaging Information**