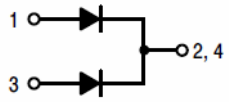
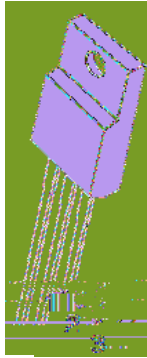
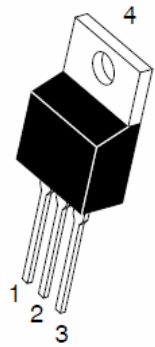
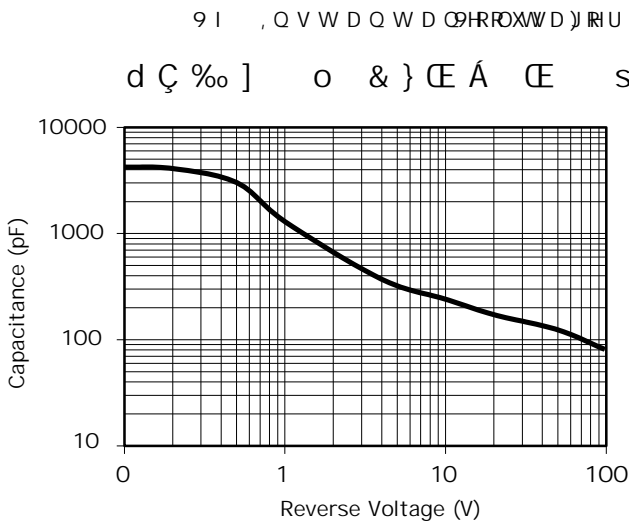
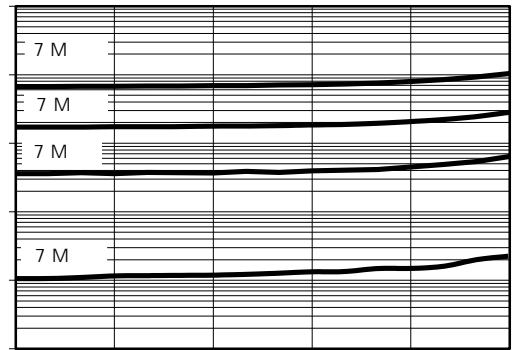
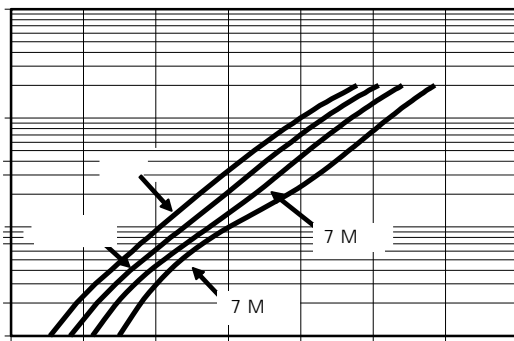
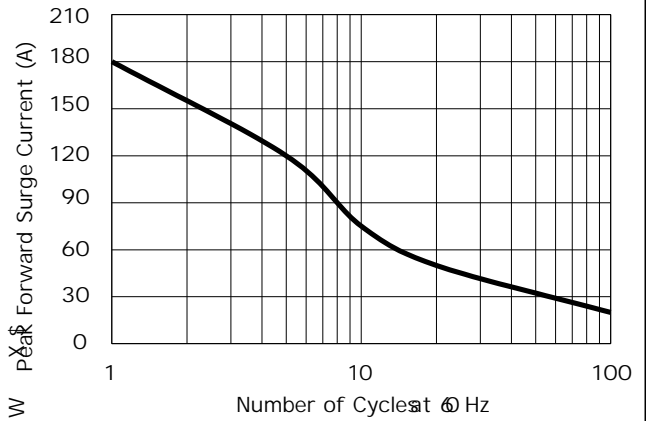
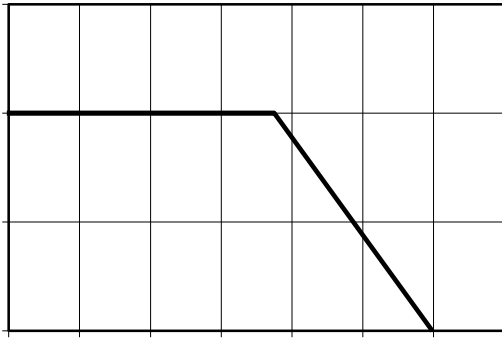


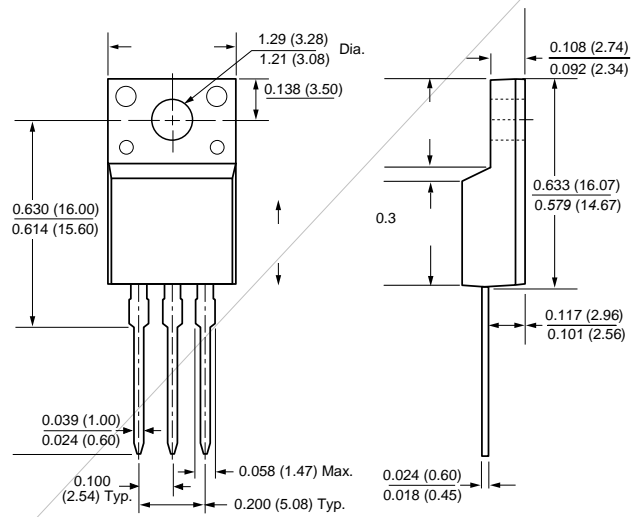
TO-220AB
TSR 9 & 7

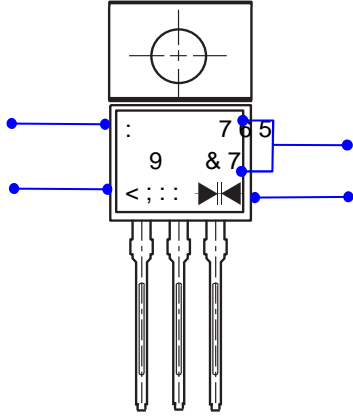


RATINGS AND CHARACTERISTICS CURVES



PACKAGE OUTLINE DIMENSIONS



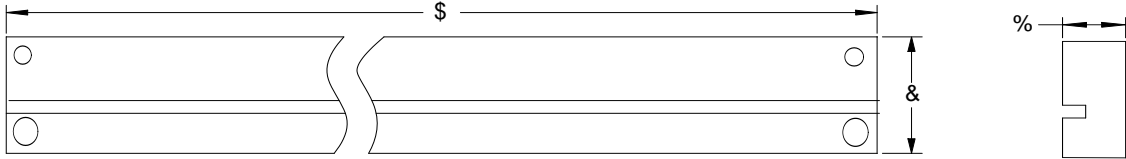


3URGXFW 765G9H O & 7RU 765 (7)
3' & LQIRU EDWLRQ
< ; ::

:: :HHN FRGH WR
; ,QWHUQDO LGRQHWLILFDWLRQ
< <HDU FRGH H[

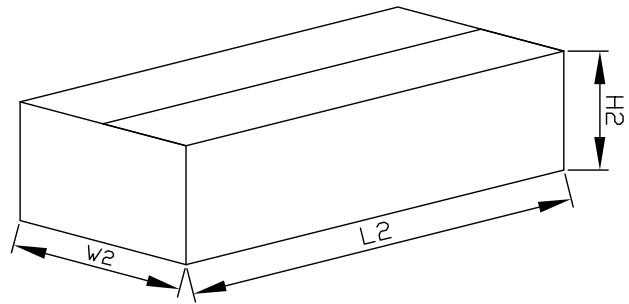
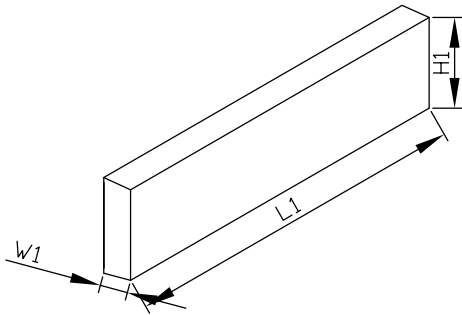


7XEH 'LPHQVLRQV



,QVLGH %R[

2XWVLGH %R[



3DFNDJLQJ ,QIRUPDWLRQ

12	81,	7XEH 'LPHQVLRQV			,QVLGH %R[2XWVLGH %R[
6L]H	PP	\$	%	&	/	:	+	/	:	+
47<	3&6	3&6 7XEH			6PDO SHFWDJH3&6 WXEORWDO			3&6 FDUERGLWRWDO		
1RWH	7ROHUDQFH PP" PP			PP" PP			PP" PP			