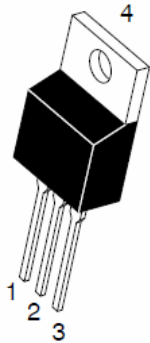
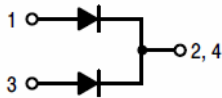
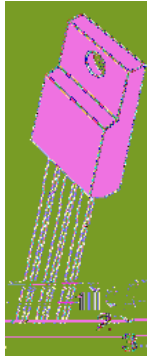


7 UHQFK 026 %DUULHU 6FKRWWN\ 5H

TO-220AB
TSR30L200CT



ITO-220AB
TSR30L200CTF



Features

- ‡ \$GYDQWUHQFK WHFKQRORJ\
- ‡ /RZRZDWRGWDJH GURS
- ‡ /RZRZDWRVVHV
- ‡ +LJKILFLHQF\ RSHUDWLRO
- ‡ /HDGH)HLQLVK &R#6OLDQW

Applications

- ‡ '&' &RQYHUWHUV
- ‡ \$&'&GDSWRUV
- ‡ 6ZLWFKRZDIXSSOLHV
- ‡)UHHZKH'HLRQJ

Maximum ratings and electrical characteristics (T_J = 25°C unless otherwise noted)

3DUDPHWHU		6\PERO	/LPLW	8QLW	
0D[LPXPHSHVSHUNYHYURQHW DJH		9550		9	
0D[LPXPHUDRJRZDUG UFXEWHIHWG		GHYLFH SHGLRGH	,) \$9	\$	
3HDN IRVZDUEBUUHQW VLKDDHQH ZDYH					,)60
VXSHULPSRVHGRFSGUJRWGHG					
2SHUDMXQDQGRQWRUDJH WHPSHUDW		XUH 0DQJH	WR		
7\SLFWDKCHUPDO USHVULVQHDQFH		72 \$%	5\$-&	f& :	
		,72 \$%		f& :	
,QVWDQWDQHRRQWRZDUG SHGLRGH		9)	7<3	0\$;	
			,) \$	7- f&	9
			,) \$		
			,) \$		
,QVWDQWDQHRXUUSHQWRDWH					
UDWHYHUVH					
1RWHV					
3XOVH WHVVSXOVH ZLGWK GXW\F\FOH					
3XOVH WHVW 3XOPWH ZLGWK 0					

RATINGS AND CHARACTERISTICS CURVES (TA = 25 °C unless otherwise noted)

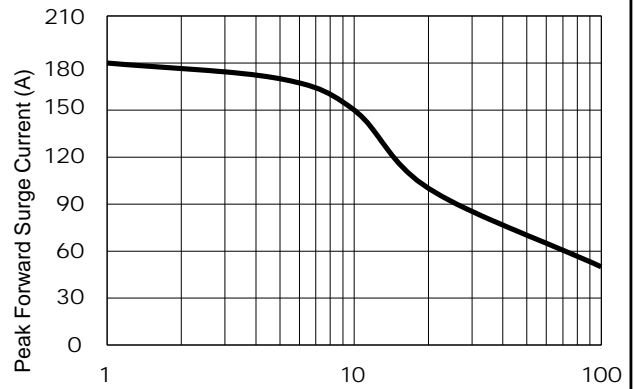
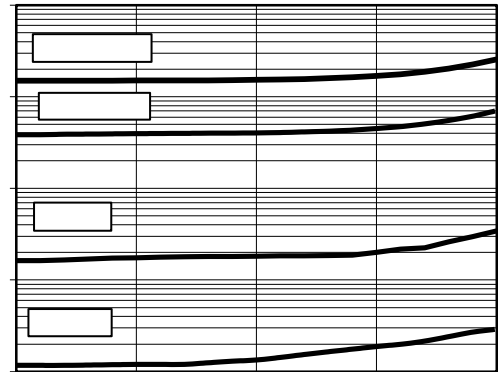
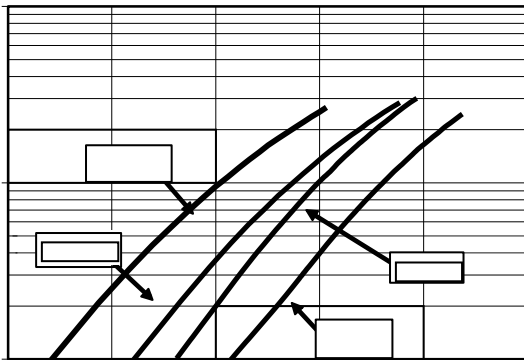


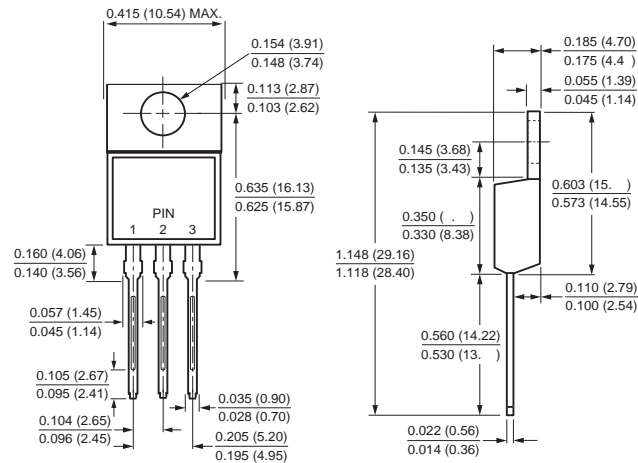
Figure 1: Current Derating, Case



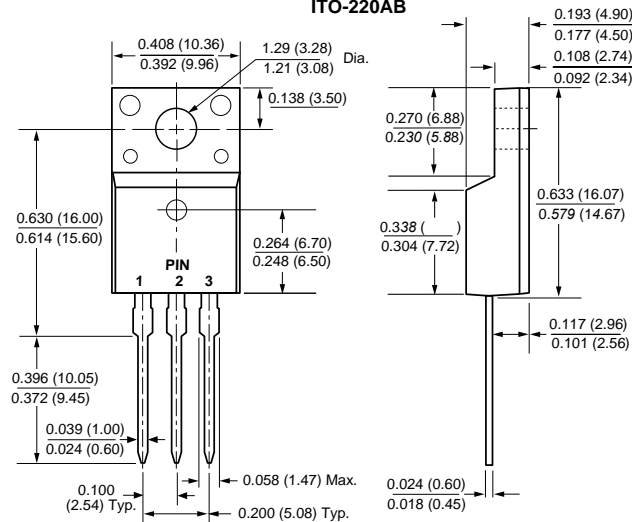
PACKAGE OUTLINE DIMENSIONS

Note:unit In(mm)

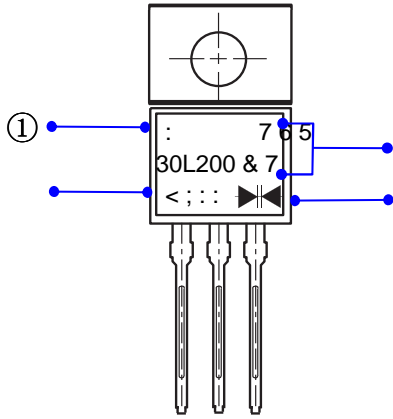
TO-220AB



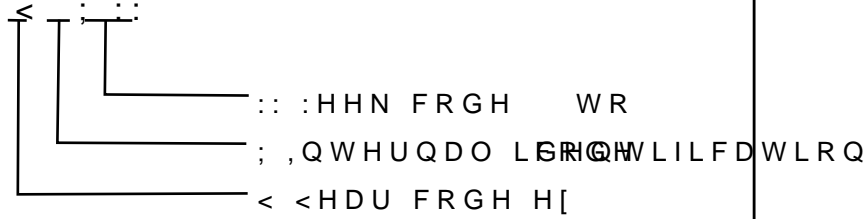
ITO-220AB



Marking Information

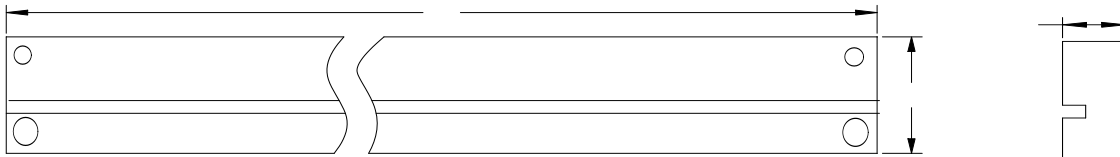


- ①
- ② 3 U R G X F W 7 6 3 0 L 2 0 0 V or TSR30L200CTF
- ③ 3 ' & L Q I R U P D W L R Q



Packaging Information

7 X E H ' L P H Q V L R Q V



, Q V L G H % R [

2 X W V L G H % R [

Packaging Information

1 2	8 1 ,	7 X E H ' L P H Q V L R			, Q V L G H % R [2 X W V L G H % R [
6 L] H	PP	\$	%	&	/	:	+	/	:	+
4 7 <	3 & 6	3 & 6 7 X E H			6 P D O C S D F W D J H 3 & 6 W X E H W R W D O			3 & 6 F D U E R I C L W R W D O		
1 R W H		7 R O H U D Q F H P " P P			P P " P P			P P " P P		