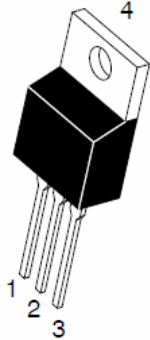


# TSR40 / OCT TSR40 /1 CTF

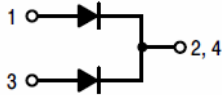
129

7 UHQFK 026 %DUULHU 6FKRWWN\ 5H

TO-220AB  
TSR40L1 OCT



ITO-220AB  
TSR40L1 OCTF



### Features

- ‡ \$GYDQWUHQFK WHFKQRORJ\
- ‡ /RZRUZDWRGWDJH GURS
- ‡ /RZRZDWRVHV
- ‡ +LJKILFLHQF\ RSHUDWLRO
- ‡ /HDGH)HLQLVK &R#6OLDQW

### Applications

- ‡ '&' & RQYHUWHUV
- ‡ \$&' & \$GDSWRUV
- ‡ 6ZLWFKRZDSSOLHV
- ‡ )UHHZKH'HLRQJ

Maximum ratings and electrical characteristics (T<sub>J</sub> = 25°C unless otherwise noted)

3DUDPHWHU		6\PERO	/LPLW	8QLW
0D[LPXPHSHVSHUNYHYURQHW DJH		9550		9
0D[LPXPHYUDRHZDUG UFXEWHIHWG	GHYLFH SHGLRGH	,) \$9		\$
3HDN IRVZDUEBUUHQW VLQDQH ZDYH VXSHULPSRVHGRFSGUDRCHG		,)60		\$
2SHUDMXQDQLRQWRUDJH WHPSHUDW		XUH 0DQJH	WR	f &
7\SLFNDKUPDO USHVULVQHDQFH		72 \$% ,72 \$%		f & : f & :
,QVWDQWDQHRRQWRUJZDUG SHGLRGH		9)	7 < 3	0\$;
	,) \$		7-	f &
	,) \$		7-	f &
	,) \$		7-	f &
,QVWDQWDQHRXUUSHQWRCWH UDWHYHYURQHW DJH		,5		X\$ P\$
			7-	f &

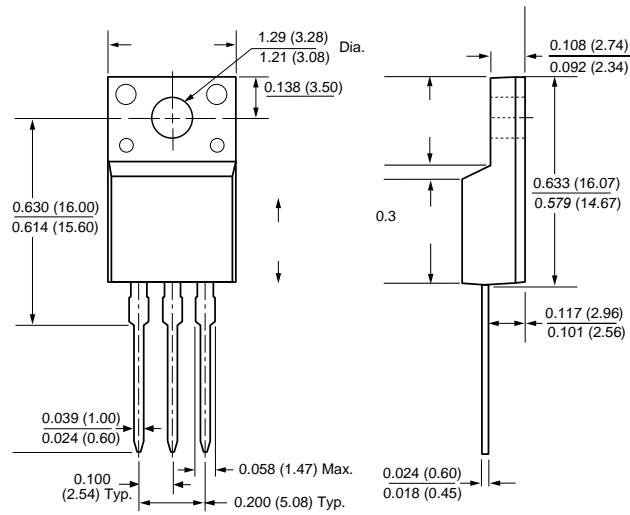
1RWHV

3XOVH WHVVSXOVH ZLGWK GXW\F\FOH

3XOVH WHVW 3XOPVH ZLGWK 0



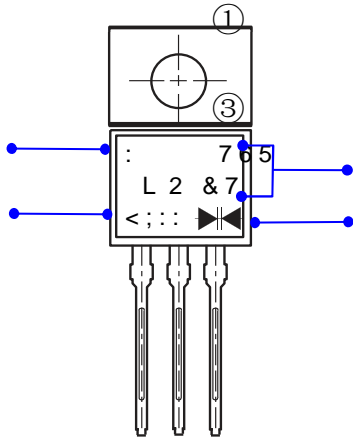
# PACKAGE OUTLINE DIMENSIONS



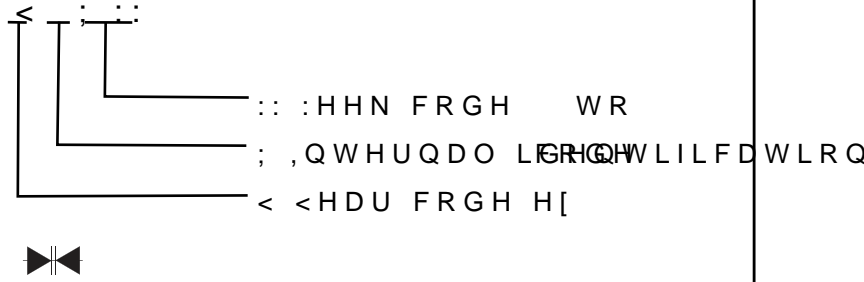
# TSR40 / OCT

# TSR40 /1 CTF

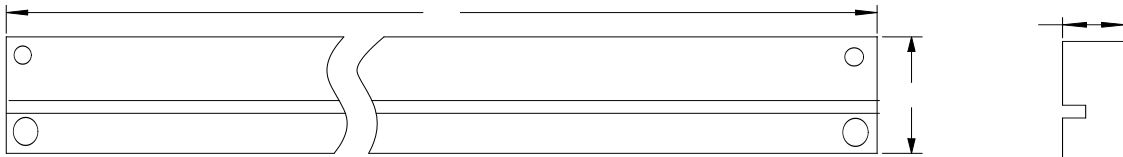
129



3 URGXFW 765 L20V or TSR40L120CTF  
3' & LQIRUPDWLRQ

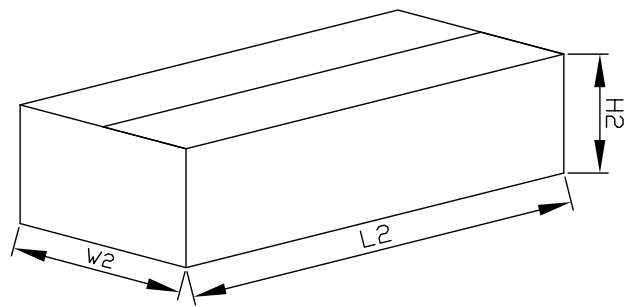
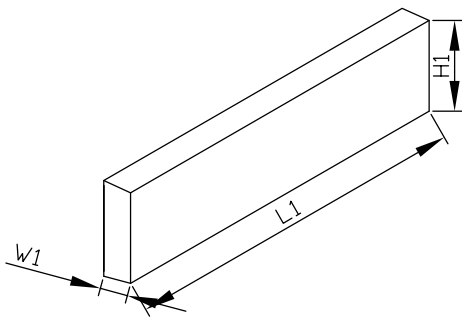


7XEH 'LPHQVLRQV



,QVLGH %R[

2XWVLGH %R[



12	81,	7XEH 'LPHQVLRQV			,QVLGH %R[			2XWVLGH %R[		
6L]H	PP	\$	%	&	/	:	+	/	:	+
47<	3&6	3&6 7XEH			6PDO SHVWDJH3&6 WXEVRWDO			3&6 FDUERGLWRWDO		
1RWH		7ROHUDQFH PP" PP			PP" PP			PP" PP		