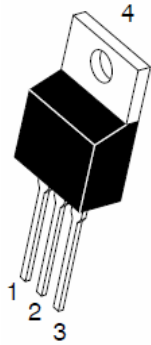
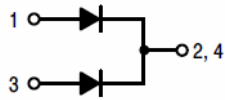


TO-220AB
TSR10L60CT



ITO-220AB
TSR10L60CTF



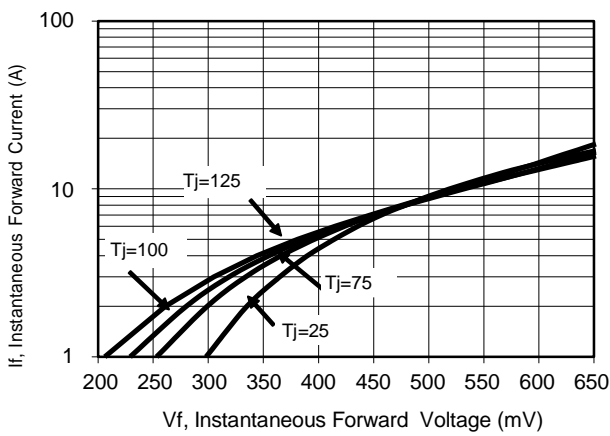
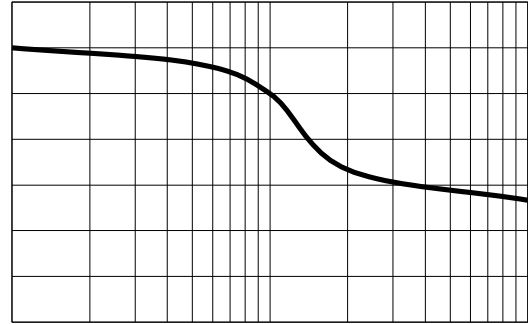
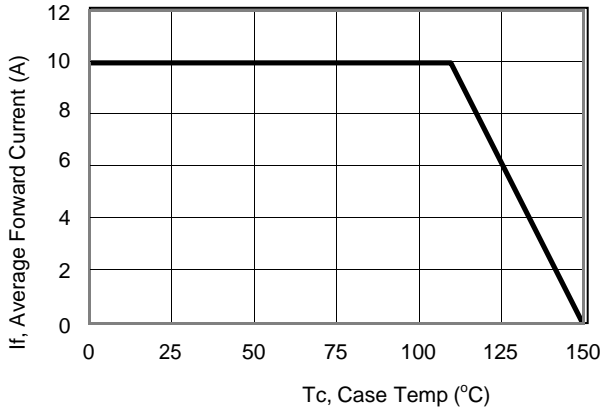
Features

- ‡ \$GYDQWFHGGFK WHFKQRORJ\
- ‡ /RZRUZDYGWDJH GURS
- ‡ /RZRZDQVVHV
- ‡ +LJKILFLHQF\ RSHUDWLRO
- ‡ /HDGH)HLQLVK &R#6OLDQW

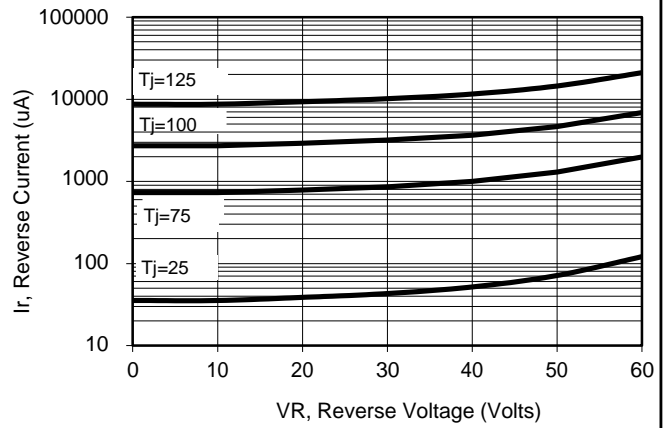
RATINGS AND CHARACTERISTICS CURVES

7\$

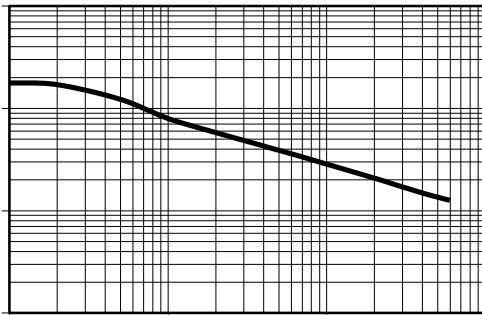
f & X Q O H V Q R W K B U Z L V H



P

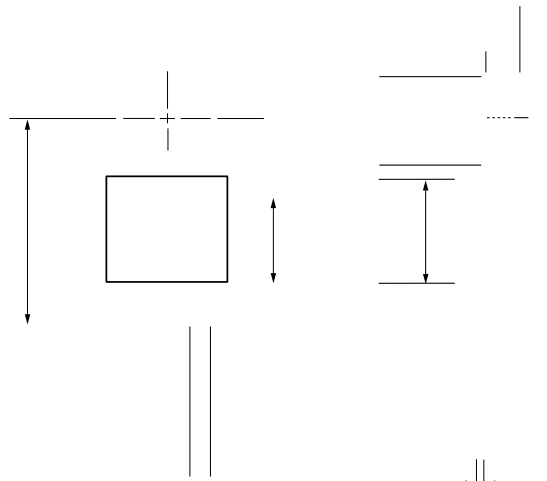


P

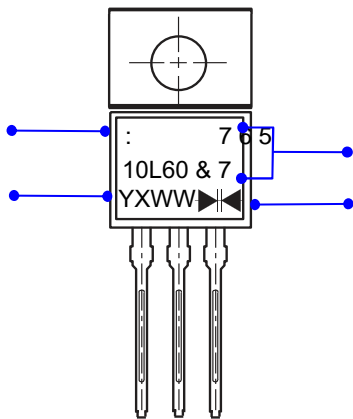


P

PACKAGE OUTLINE DIMENSIONS



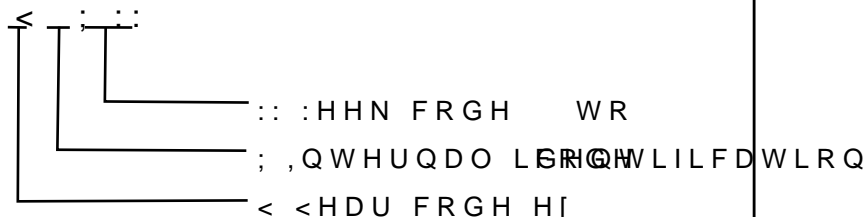
Marking Information



W : Company's trademark

3 U R G X F W T S R 1 0 L 6 0 C T or T S R 1 0 L 6 0 C T F

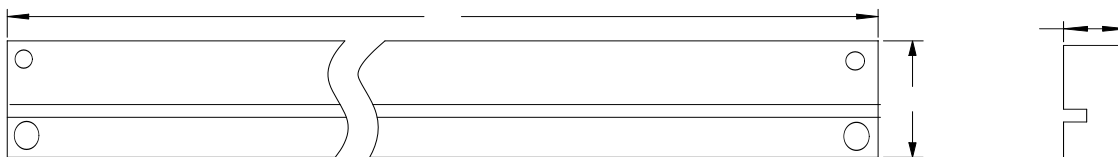
3 ' & L Q I R U P D W L R Q



Double wafer

Packaging Information

7 X E H ' L P H Q V L R Q V



, Q V L G H % R [

2 X W V L G H % R [

Packaging Information

1 2	8 1 ,	7 X E H ' L P H Q V L R			, Q V L G H [2 X W V L G H % R		
6 1 H	PP	\$	%	&	/	:	+	/	:	+
		5	7	33	570	46	150	59	26	18
4 7 <	3 & 6	3 & 6 7 X E H			6 P D O C T F W D J H 3 & 6 2 W X E H W R W D O			3 & 6 F D U E R C L W R W D O		
1 R W H		7 R O H U D Q F P P " P P			P P " P P			P P " P P		