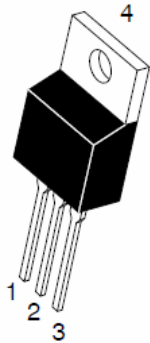
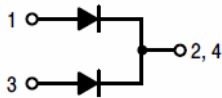


7 UHQFK 026 %DUULHULB BKRWVN\ 5H

TO-220AB
TSR20S100CT



ITO-220AB
TSR20S100CTF



Features

- ‡ \$GYDQWUHQFK WHFKQRORJ\
- ‡ /RZRUZDWRGWDJH GURS
- ‡ /RZRZDWRVVHV
- ‡ +LJKILFLHQF\ RSHUDWLRO
- ‡ /HDGH)HLQLVK &R#6OLDQW

Applications

- ‡ '&' & RQYHUWHUV
- ‡ \$&' & GDSWRUV
- ‡ 6ZLWFKRZDIXSSOLHV
- ‡)UHHZKH'HLRQJ

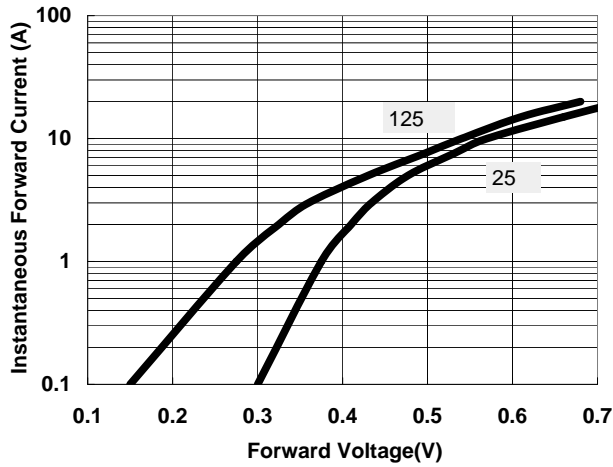
Maximum ratings and electrical characteristics (T_J = 25°C unless otherwise noted)

3DUDPHWHU		6\PERO	/LPLW	8QLW	
0D[LPXPHSHVSHUNYHYURQHW DJH		9550		9	
0D[LPXPHUDRJDZDUG UFXEWHIHWG		GHYLFH SHGLRGH	,) \$9	\$	
3HDN IRVZDUEBUUHQW VLKDDHQH ZDYH				,)60	\$
VXSHULPSRVHGRFSGUJRWGHG					
2SHUDMXQDQGRQWRUDJH WHPSHUDW		X0H 060JH	0WR		
7\SLFWDKCHUPDO USHVULVQHWQFH		72 \$%	5\$-&	f& :	
		,72 \$%		f& :	
			7<3	0\$;	
,QVWDQWDQHRRQWRUJZDUG		9)		9	
SHGLRGH					
,QVWDQWDQHRXUUSHQWRDWH		7- f&			
UDWHYHYURQHW DJH		,5			
1RWHV					
3XOVH WHVVSXOVH ZLGWK GXW\F\FOH					
3XOVH WHVW 3XOPWH ZLGWK 0					

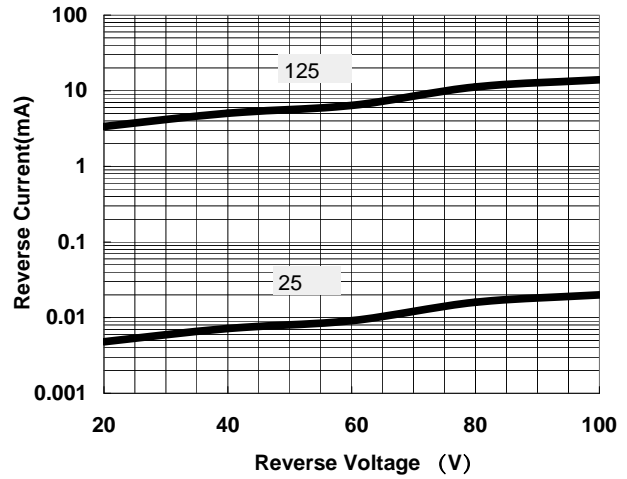
RATINGS AND CHARACTERISTICS CURVES

7\$

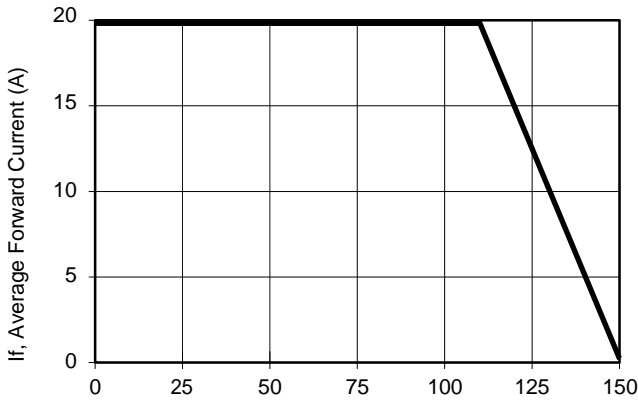
f & XQOHVQRWKBUZLVH



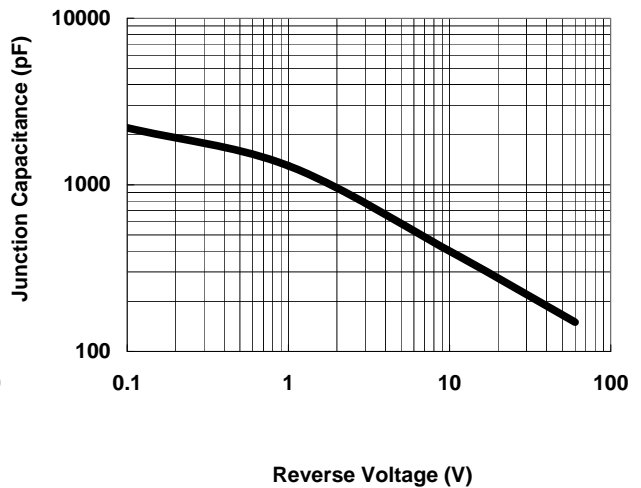
Forward Current Derating Curve



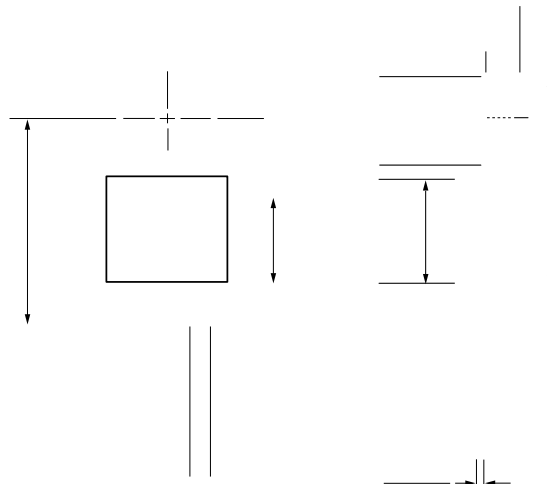
Typical Junction Capacitance Per Diode

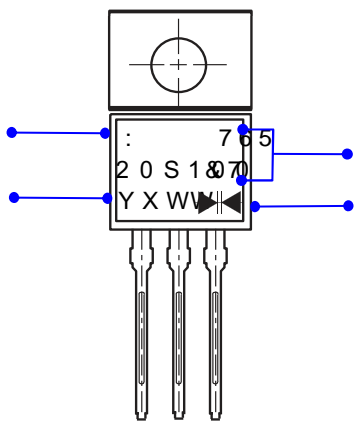


Current Derating, Case

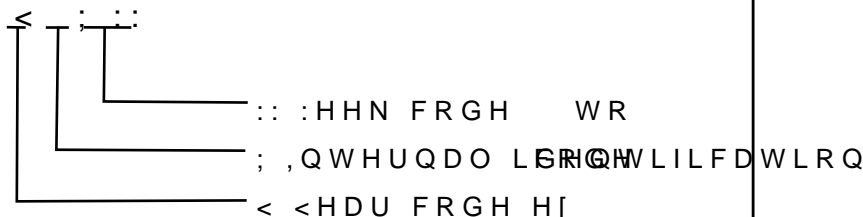


PACKAGE OUTLINE DIMENSIONS



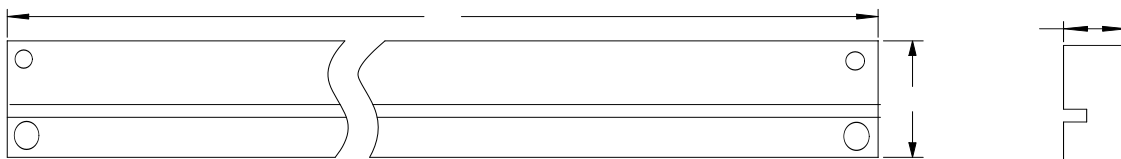


W : Company's trademark
3URGXFW TSPRGS 00T0 or TSR 2TFS 100
3' & LQIRUPDWLRQ



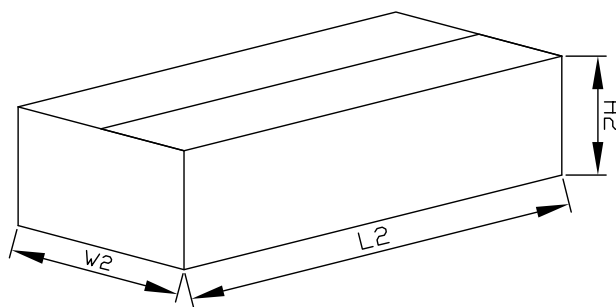
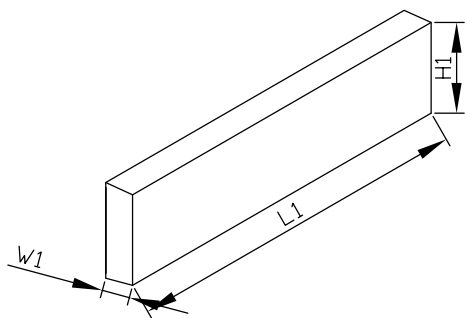
Double wafer

7XEH 'LPHQVLRQV



,QVLGH %R[

2XWVLGH %R[



12	81,	7XEH 'LPHQVLRQV			,QVLGH %R[2XWVLGH %R		
6 LH	PP	\$	%	&	/	:	+	/	:	+
		5	7	33	570	46	150	59	26	18
47 <	3 & 6	3 & 6 7XEH			6PDO SHVWDJH3 & 6 2 WXEDWRWDO			3 & 6 FDUERGLWRWDO		
1RWH		7ROHUDQFH PP" PP			PP" PP			PP" PP		