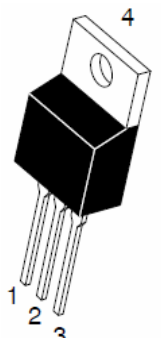


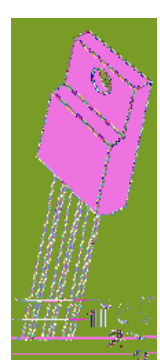
7 UHQFK 026 %DUULHU 6FKRWWN\ 5H

TO-220AB
TSR_{10s150} & 7S



1 2 3 4

ITO-220AB
TSR_{10s150} & 7)-S




Features

- ‡ \$GYDQWUHQFK WHFKQRORJ\
- ‡ /RZRUZDWRGWDJH GURS
- ‡ /RZRZDWRVVHV
- ‡ +LJKILFLHQF\ RSHUDWLRO
- ‡ /HDGH)HLQLVK &RPSOLDQW

Applications

- ‡ '&' & RQYHUWHUV
- ‡ \$&' & GDSWRUV
- ‡ 6ZLWFKRZDSSOLHV
- ‡)UHHZKH)HLRQJ

3, 1 

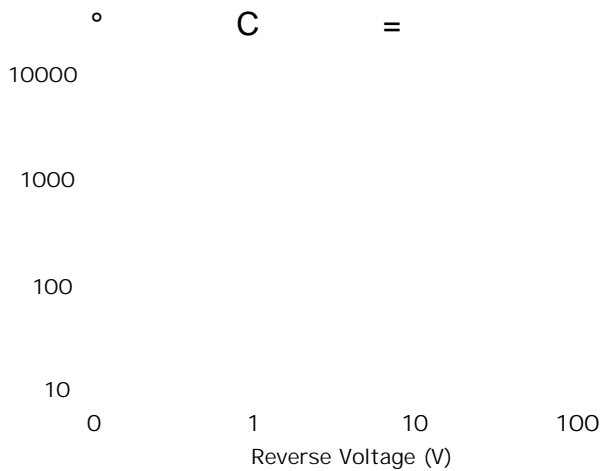
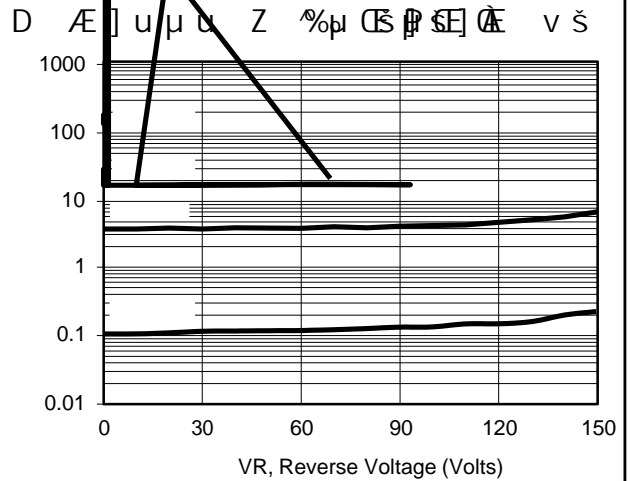
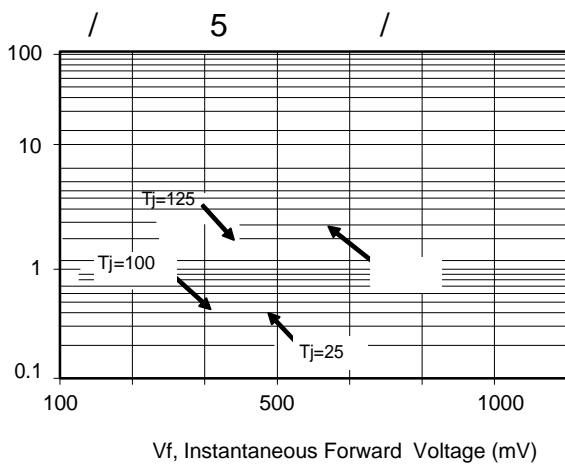
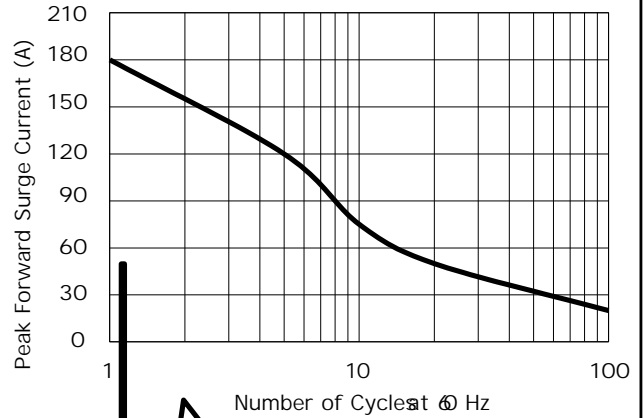
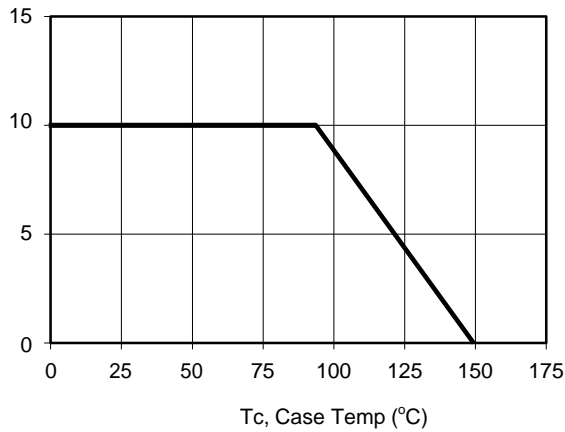
Maximum ratings and electrical characteristics (T_J = 25°C unless otherwise noted)

3DUDPHWHU	6\PERO	/LPLW	8QLW
0D[LXPXPHSHVSHUNYHYURDHW DJH	9550		9
0D[LXPYHURJHZDUG UFKWHDQWGHYLFH,) \$9			\$
3HDNIRVZDUEBUHQW VLQDQH ZDYH VXSHULPSRVHGRSODRWHG	,)60		\$
2SHUDMXQDQWRUDJH WHPSHUDW XUH DQJH WR			f &
7\SLVFKHUPDO USHVULVHDQFH	72 \$% ,72 \$%		f & : f & :
,QVWDQWDQHRXUWRUDUG SHGLRGH	9)	7 < 3	0\$;
		,) \$	7- f &
		,) \$	7- f &
		,) \$	7- f &
,QVWDQWDQHRXUWHUWHUUDWUHQYHYURDHW DJH	,5		X\$
			P\$

1RWHV
3XOVH WHVVSXOVH ZLGWK GXW\F\FOH
3XOVH WHVW 3XOPH ZLGWK 0

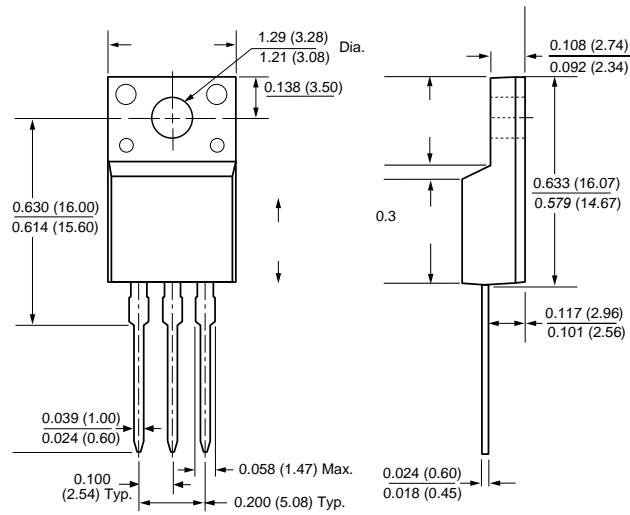
RATINGS AND CHARACTERISTICS CURVES

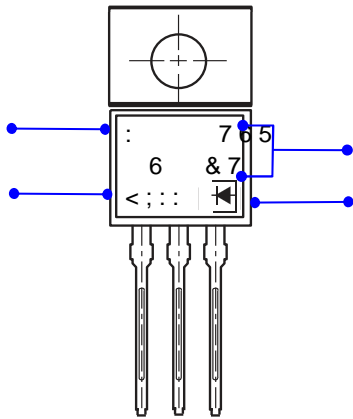
f & X Q O H V Q R W K B U Z L V H



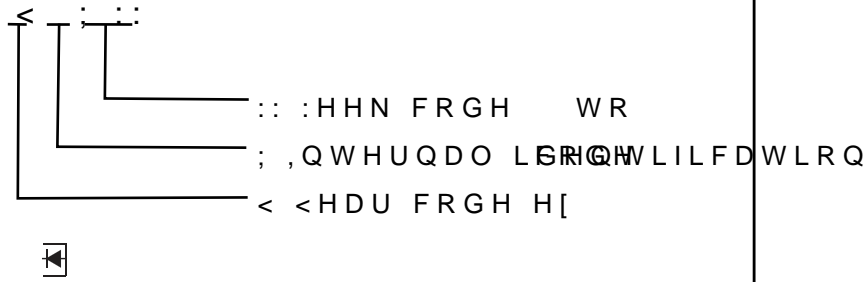
d Ç %] o : μ v š] } v %] š v

PACKAGE OUTLINE DIMENSIONS

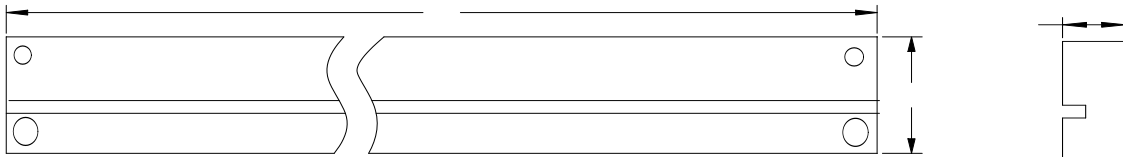




3URGXFW 765GH60 & 7 RU 765 & 7)
3' & LQIRUPDWLRQ

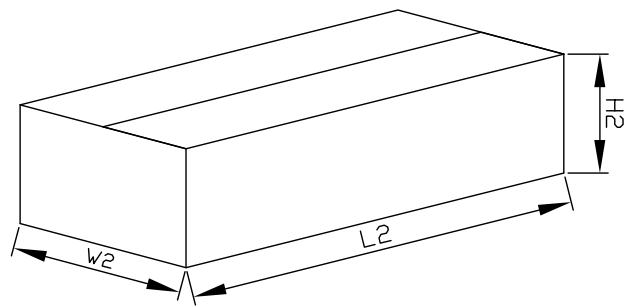
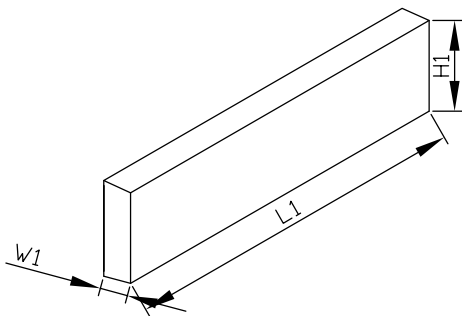


7XEH 'LPHQVLRQV



,QVLGH %R[

2XWVLGH %R[



3DFNDJLQJ ,QIRUPDWLRQ

12	81,	7XEH 'LPHQVLRQ			,QVLGH %R[2XWVLGH %R[
6L]H	PP	\$	%	&	/	:	+	/	:	+
47<	3&6	3&6 7XEH			6PDO SHVWDJH3&6 WXEVRWDO			3&6 FDUVRWDO		
1RWH	7ROHUDQFH PP" PP			PP" PP			PP" PP			