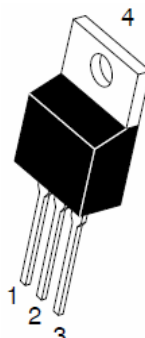


TSR40A 00CT


TSR40A10 CTF

7 U H Q F K 0 2 6 % D U U L H U L B B K R W W N \ 5 H

TO-220AB
TSR40A100CT



ITO-220AB
TSR40A100CTF



Features

- ‡ \$ G Y D Q W F U H G Q F K W H F K Q R O R U \
- ‡ / R Z R U Z Y B G W D J H G U R S
- ‡ / R S R Z I O R V V H V
- ‡ + L J H I L F L H Q F \ R S H U D W L R Q
- ‡ / H D G H H L Q L V K & R P S O L D Q W

Applications

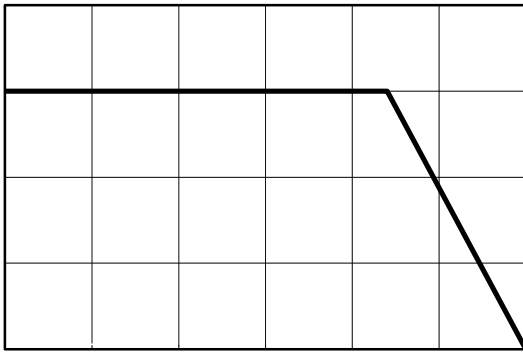
- ‡ ' & ' & R Q Y H U W H U V
- ‡ \$ & ' & \$ G D S W R U V
- ‡ 6 Z L W F X R Q I S S O L H V
- ‡) U H H Z K H H L Q G Q J V

Maximum ratings and electrical characteristics (T_J = 25°C unless otherwise noted)

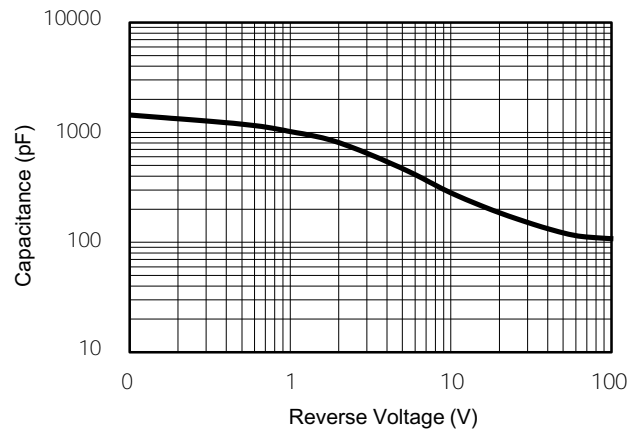
3 D U D P H W H U		6 \ P E R O	/ L P L W	8 Q L W
0 D [L P X L P H S H V S I H U N Y Y H Y U R O H W D J H		9 5 5 0		9
0 D [L P X P Y H U D R U Z D U G U F X E W H I Q W G	G H Y L F H S H G L R G H	,) \$ 9		\$
3 H D N I R V Z D U B S U U H Q W V L Q D O H Q H Z D Y H V X S H U L P S R V H G R S C G U D R V G H G		,) 6 0		\$
2 S H U D M X Q B V L G Q W R U D J H W H P S H U D W X O H O D O J H			W R	f &
7 \ S L F V D C H U P D O U S H V U L V O H D Q F H	7 2 \$ % , 7 2 \$ %	5 \$ - &		f & : f & :
, Q V W D Q W D Q H R R O W R U Z D U G S H G L R G H		9)	7 < 3	0 \$;
	,) \$		7 - f &	9
	,) \$		7 - f &	
	,) \$		7 - f &	
, Q V W D Q W D Q H R X U U S H O M H R O W H U D W H H G Y H U R O H W D J H	7 - f &	, 5		X \$
	7 - f &			P \$

1 R W H V
3 X O V H W H V V S X O V H Z L G W K G X W \ F \ F O H
3 X O V H W H V W 3 X O P V H Z L G W K 0

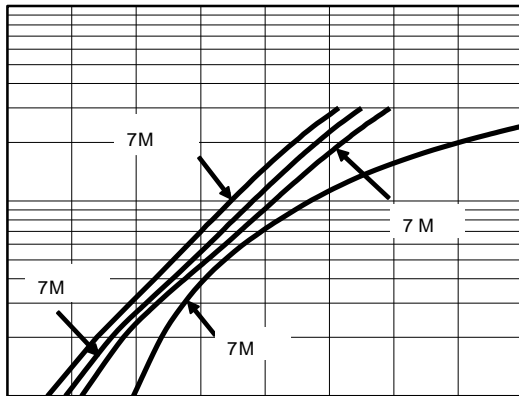
RATINGS AND CHARACTERISTICS CURVES (TA = 25 °C unless otherwise noted)



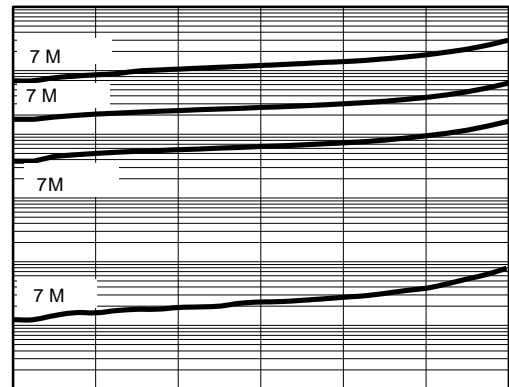
Reverse Current vs. Reverse Voltage



Capacitance vs. Reverse Voltage

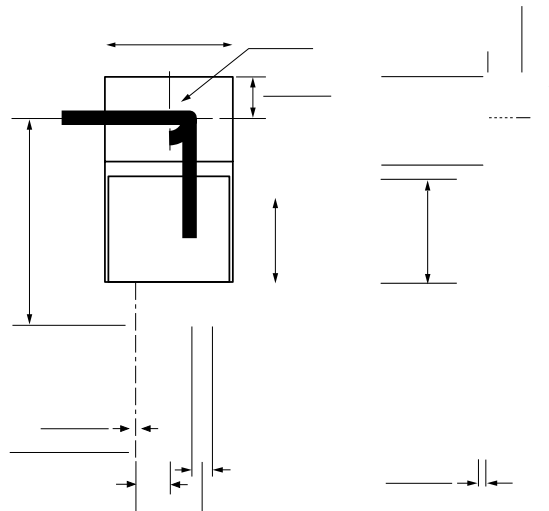


Forward Current vs. Forward Voltage

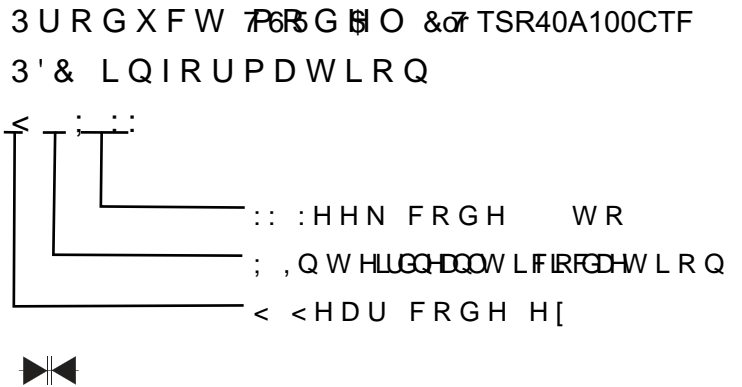
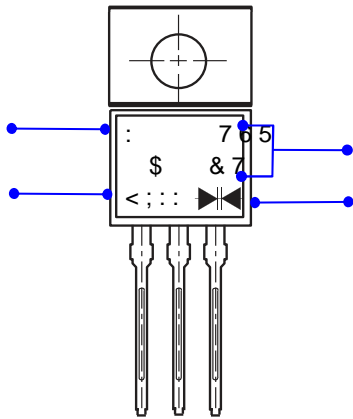


Reverse Current vs. Reverse Voltage for various diodes

PACKAGE OUTLINE DIMENSIONS 82.89(47.82.81(4708

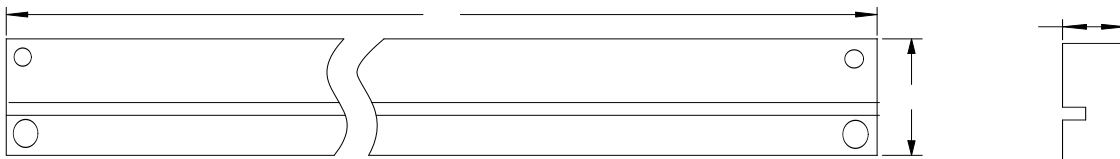


Marking Information



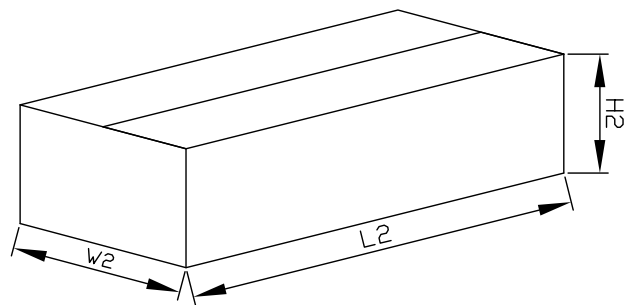
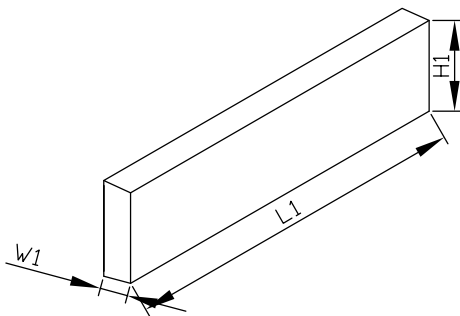
Packaging Information

7 X E H ' L P H Q V L R Q V



, Q V L G H % R [

2 X W V L G H % R [



Packaging Information

1 2	8 1 ,	7 X E H ' L P H Q V L R			, Q V L G H [2 X W V L G H		
6 L] H	PP	\$	%	&	/	:	+	/	:	+
4 7 <	3 & 6	3 & 6 7 X E H			6 P D O C S H V W D J H 3 & 6 W X E H W R W D O			3 & 6 F D U E R G L W R W D O		
1 R W H	7 R O H U D Q F P P " P P				P P " P P			P P " P P		