

7UHQFK 026 %DUULHU 6FKRWWN\ 5H

763 6 %

60%



&DWKRGH ← \$QRGH

)HDWXUHV

‡ \$GYDQWUHQFK WHFKQRORJ\  
‡ /RZRUZVROWDJH GURS  
‡ /RZRZURVVHV  
‡ +LJHILFLHQF\ RSHUDWLRQ  
‡ /HDGH)HLQLVK &RPSOLDQW

\$SSOLFDFWLRQV

‡ '& '& RQYHUWHUV  
‡ \$\$ '& \$GDSWRUV  
‡ 6ZLWFKRZHXSSOLHV  
‡ )UHHZKHHLRGLJ

0D[LPXP UDWLQJV DQG HOHFWULFDJ& FXODDWHVHJQRVWHIGFV

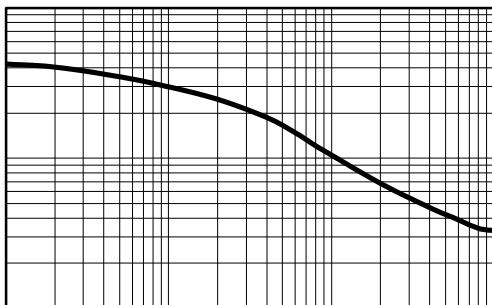
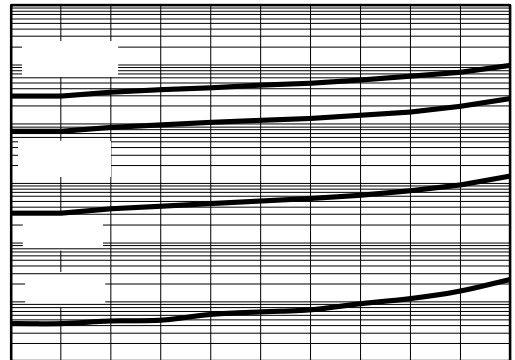
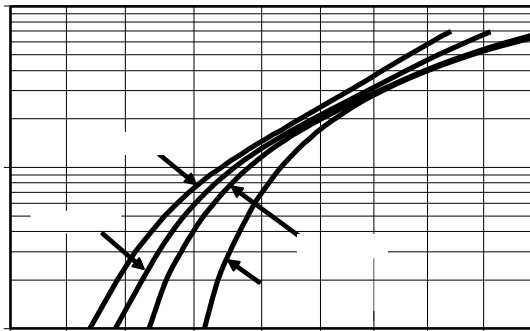
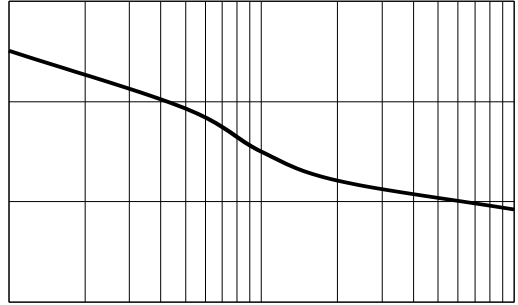
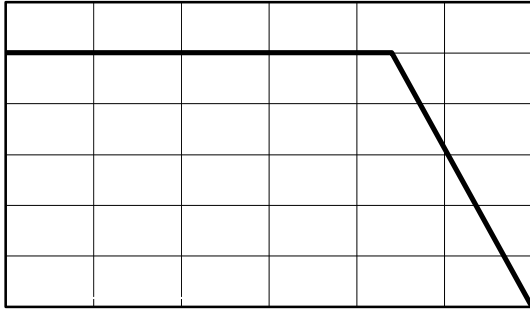
3DUDPHWHU		6\PERO	/LPLW	8QLW
0D[LPXP SHSHVSHUNYHYURQWDJH		9550		9
0D[LPXPYHURJHZDUG UFXEWHIQWG		,) \$9		\$
3HDN IRUZDUEBUUHQW VLKDDHQZDYH VXSHULPSSQDCHRSBGLRGH		,) 60	0	\$
2SHUDMXQDQCRQWRUDJH WDESSHUDW		X0H767*	WR	f&
7\SLFDO WKHUPDO UHVLVWDQFH SHU		G15681	ORXQWHG RQ )5	3&f% :
,QVWDQWDQHRROWRUJZDUG SHGLRGH	,) \$	7- f&	7<3	0\$;
	,) \$	7- f&		
	,) \$	7- f&		
	,) \$	7- f&		
,QVWDQWDQHRXUUSHOMRQWH UDWHYHYURQWDJH	7- f&	,5		X\$
	7- f&			P\$

1RWHV

3XOVH WHVVSXOVH ZLGWK GXW\FFOH

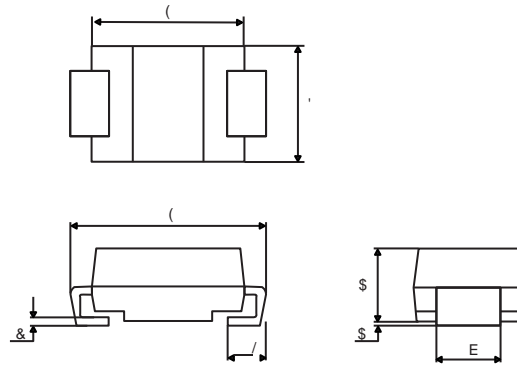
3XOVH WHVW 3XOPWH ZLGWK 0

5\$7,1\*6 \$1' &+\$5\$&7(5,67,&6 &7859(6f& XQOHVQRWKBZLVH



3\$&.\$\*( 287/,1( ',0(16,216

60% GLPHQVLRQ GHILQLWLRQV



60% GLPHQVLRQ YDOXH V

5HI	'LPHQVLRQV			
	0LOOLPHWHUV		,QFKHV	
	0LQ	0D[	0LQ	0D[
\$				
\$				
E				
F				
'				
(				
(				
/				