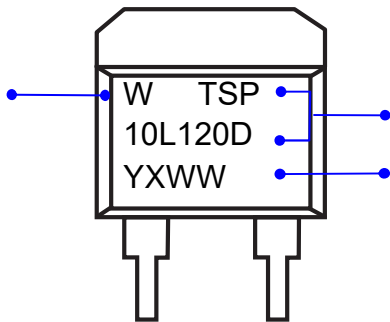


RATINGS AND CHARACTERISTICS CURVES (TA = 25 °C unless otherwise noted)

Percent of Rated Peak Reverse Voltage (%)

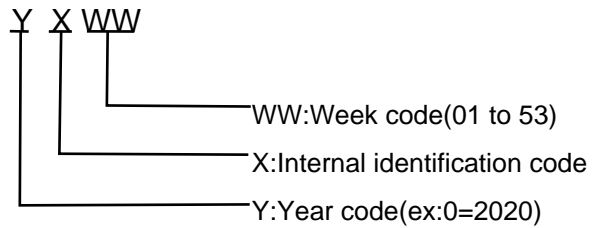
PACKAGE OUTLINE DIMENSIONS

Note:unit In(mm)



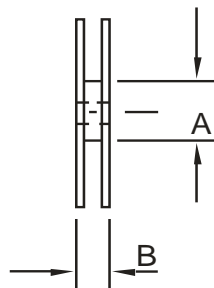
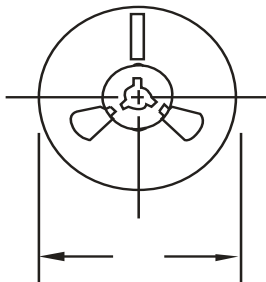
W : Company's trademark
Product model : TSP10L120D For TSP10L120D-S

PDC information ~

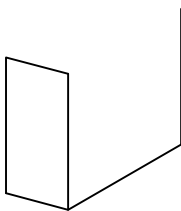


Packaging Information

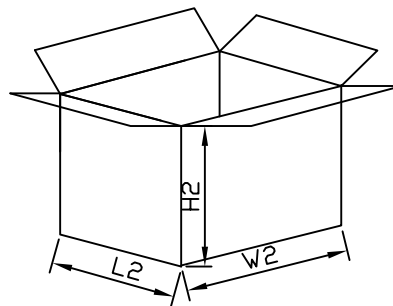
1.Reel Dimensions



2. Inside Box



3.Outside Box



Packaging Information