

7UHQFK 026 %DUULHU 6FKRWWN\ 5H

**Features**

- Advanced trench technology
- Low forward voltage drop
- Low power losses
- High efficiency operation
- Lead Free Finish, RoHS Compliant

**Applications**

- DC/DC Converters
- AC/DC Adaptors
- Switching Power Supplies
- Freewheeling Diodes

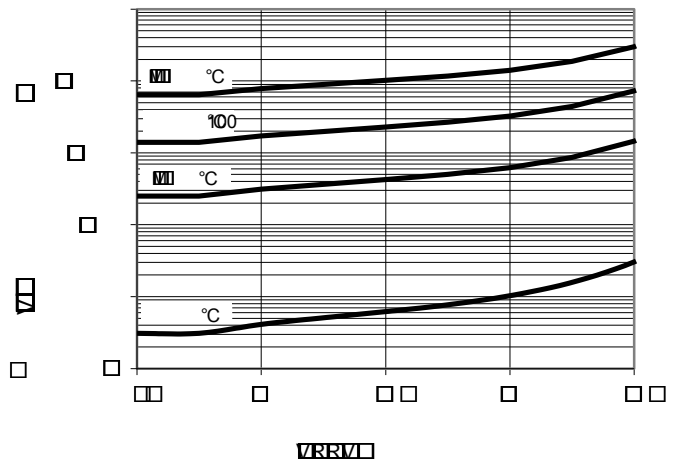
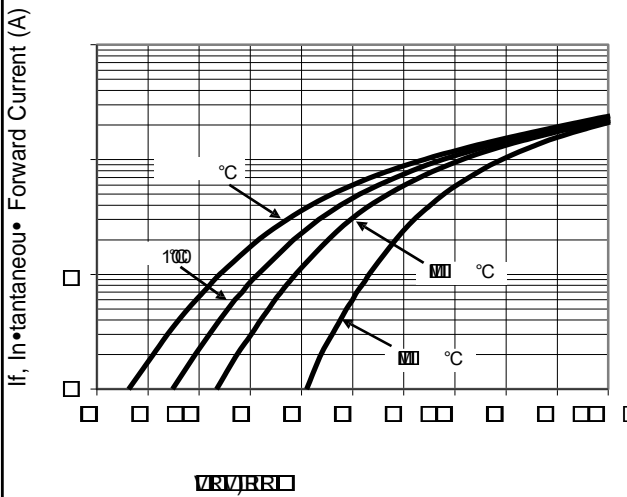
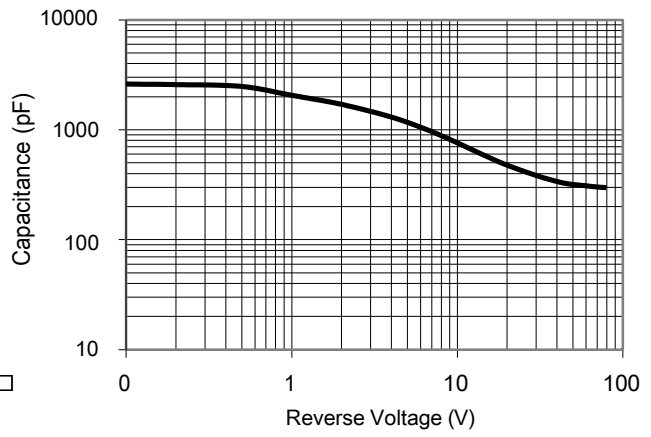
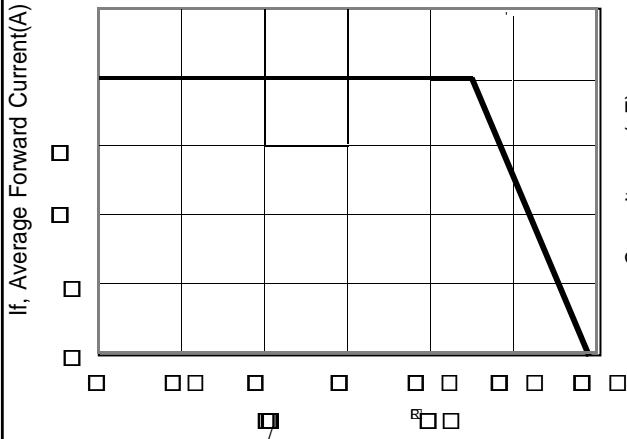
**Maximum ratings and electrical characteristics (TJ = 25°C unless otherwise noted)**

Parameter	Symbol	Limit	Unit
Maximum repetitive peak reverse voltage	VRRM		V
Maximum average forward rectified current	IF(AV)		A
Peak forward surge current 8.3 ms single half sine- wave superimposed on rated load per diode	IFSM	60	A
Operating junction and storage temperature range	TJ, TSTG	WR	°C
7\SLFDO WKHUPDO UHVLVWDQFH SHU GLSRGH ORXQWHG RQ )5	3 & CAW		
Instantaneous forward voltage per diode	VF(1)	7 < 3	0 \$ ;
		IF= A TJ=25°C	
		IF= A TJ=125°C	V
Instantaneous reverse current per diode at rated reverse voltage	IR(2)	TJ=25°C	X \$
		TJ=125°C	mA

Notes:

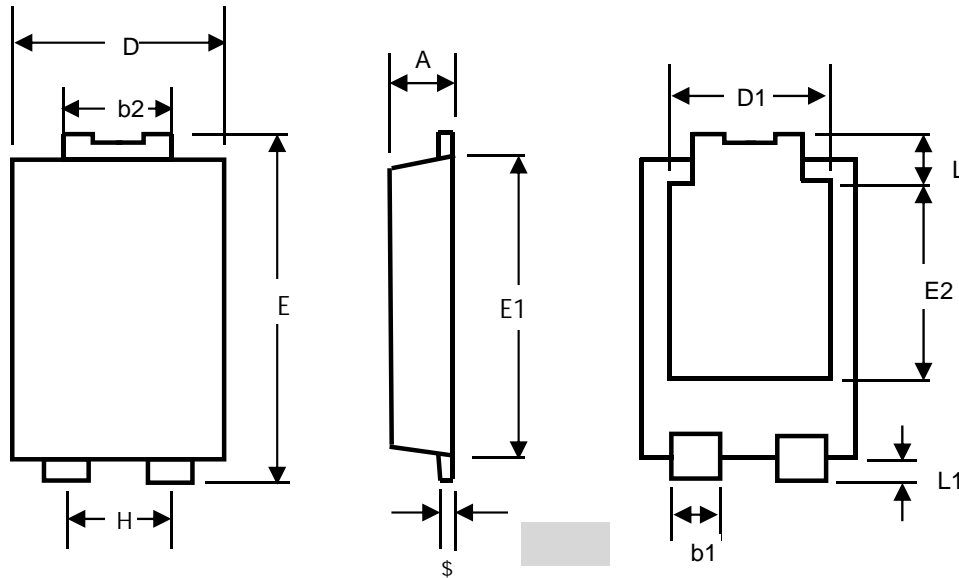
3XOVH WHVW 3XOVH ZLGWK GXW\ F\FOH  
 3XOVH WHVW 3XOVH ZLGWK 0

## RATINGS AND CHARACTERISTICS CURVES (TA = 25 °C unless otherwise noted)



## PACKAGE OUTLINE DIMENSIONS

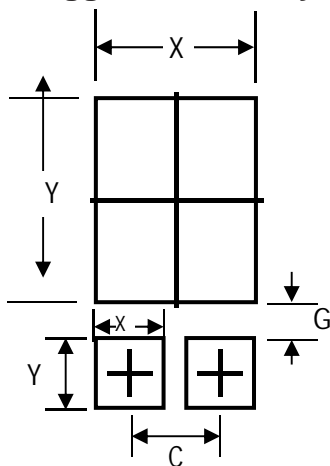
### TO-277



### TO-277 Mechanical Data

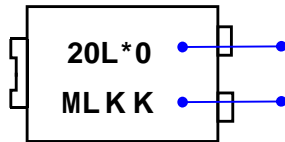
UNIT	A	A2	b1	b2	D	D1	E	E1
------	---	----	----	----	---	----	---	----

### TO-277 Suggested Pad Layout



UNIT		C	G	X	X1	Y	Y1
mm	min	1.80	0.90	3.4	1.4	4.9	1.4
mil	min	78.86	35.43	133.86	35.43	192.91	55.12

## Marking Information



Product model :TSP20L60SP

Referred to as 20L60

PDC information

Y X WW

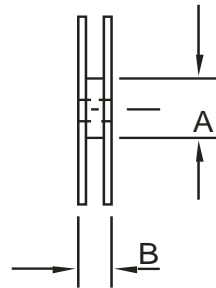
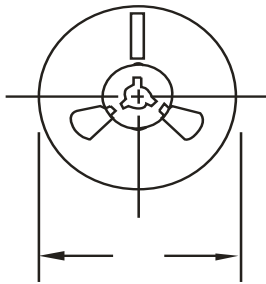
WW:Week code(01 to 53)

X:Internal identification code

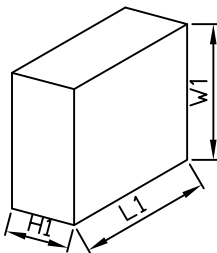
Y:Year code(ex:0=2020)

## Packaging Information

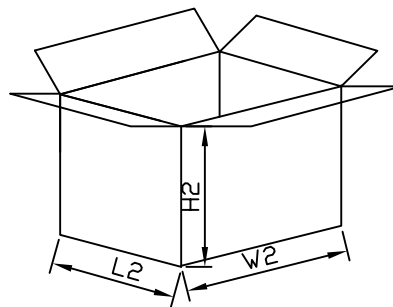
### 1.Reel Dimensions



### 2. Inside Box



### 3. Outside Box



## Packaging Information

NO	UNIT	Reel Dimensions			Inside Box			Outside Box		
			A	B	L1	W1	H1	L2	W2	H2
Size	mm	330	70	15	335	335	43	360	360	360
QTY	PCS	Smallest package,5000PCS/reel			10,000PCS,2 reel in total			80,000PCS/carton,8 boxes in total		
Note	Tolerance 20mm,±3mm; 21-100mm,±5mm; 101-500mm,±10mm									